

GV-CS1320 2MP H.264 Camera Access Controller with a built-in Reader



Introduction

GV-CS1320 is an access controller with a 2 MP camera and 13.56 MHz reader built in. GV-CS1320 recognizes access control cards and accordingly grants access to up to 100,000 users. Its camera captures a live view of the entrance and transmits it to the access control system GV-ASManager over a network, eliminating the need to install and maintain a separate camera in addition to the camera access controller.

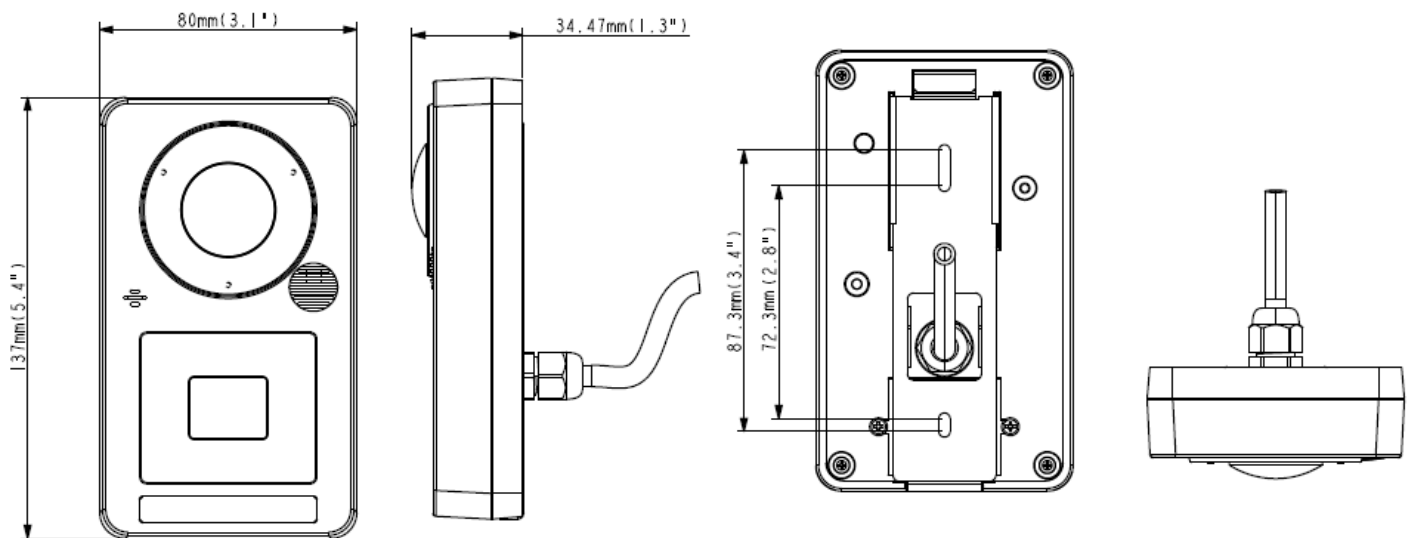
When the touchpad on the GV-CS1320 is activated, it will make a VoIP call to the operator, allowing the operator to communicate with the visitor and enter an access code to unlock the door.

For the operator to communicate with visitors at the door installed with GV-CS1320 and grant access, three types of notifications are available: SIP/VoIP Calling, GV-ASNotify PC program, and GV-Access mobile app.

Manage Visitors



Dimensions



Key Features

Camera

- 2 MP progressive scan super low lux CMOS
- Minimum illumination at 0.02 lux
- Dual streams from H.264 and MJPEG
- Up to 15 fps at 1920 x 1080
- Day and night function (with removable IR-cut filter)
- Built-in IR with effective distance up to 3 m (10 ft)
- Ingress protection (IP66)
- 12V DC, 2.5A / PoE+ (IEEE 802.3at)
Built-in microphone and speaker
- Wide Dynamic Range (WDR)
- Built-in micro SD card slot
- Provides 180° panorama view
- ONVIF (Profile S) conformant

Reader

- Built-in 13.56, ISO 14443A MHz reader
- Support for GV-Proximity Cards with GID (GeoVision Identifier) to enhance security
- 2 types of interfaces, RS-485 and TCP/IP, supporting 2 readers for each interface
- OSDP communication through RS-485

Access Control

- 1 door (one-way or two-way control)
- 2 inputs, dry contact (Door Sensor / Exit Button)
- 1 relay outputs (Electric Lock)
- Support for GV-I/O Box 4 Ports for door / fire / temper sensor, door button and doorbell applications
- Touchpad to activate two-way communication between the operator and visitors
- Snapshots captured upon card presented and touchpad activated
- SIP / VoIP calling support
- Anti-passback (APB) support
- GV-Access app for push notifications

Specifications

Camera		
Image Sensor		1/2.8" progressive scan super low lux CMOS
Picture Elements		1920 (H) x 1080 (V)
Minimum Illumination	B/W	0.02 Lux
Shutter Speed		Automatic, Manual (1/5 ~ 1/8000 sec)
White Balance		Automatic, Manual (2800K ~ 8500K)
S/N Ratio		52 db
Lens		
Megapixel		Yes
Day / Night function		Yes (with removable IR-cut filter)
Lens Type		Fixed
Focal Length		1.7 mm
Maximum Aperture		F/2.5
Mount		M12
Image Format		1/2.8"
Horizontal FOV		180°

IR LED Quantity	2	
Max. IR Distance	3 m (10 ft)	
Operation		
Video Compression	H.264, MJPEG	
Video Streaming	Dual streams from H.264 and MJPEG	
Video Resolution	Stream 1	1920 x 1080 (16:9)
	Stream 2	640 x 360 (16:9)
Frame Rate	15 fps at 1920 x 1080 * The frame rate and the performance may vary depending on the number of connections and data bitrates (different scenes).	
Image Setting	Brightness, Contrast, Saturation, Sharpness, Gamma, White Balance, Image Orientation, Shutter Speed	
Audio Compression	G.711	
Network		
Interface	10/100 Ethernet	
Protocol	DHCP, DynDNS, FTP, HTTP, HTTPS, NTP, ONVIF (Profile S), PSIA, QoS (DSCP), RTSP, SIP, SMTP, SNMP, TCP, UDP, UPnP, 3GPP/ISMA	
Mechanical		
Local Storage	Micro SD card	
Connectors	Power	2-pin terminal block
	Ethernet	Ethernet (10/100 Base-T), RJ-45 Connector
	Audio	Built-in microphone and speaker
	RS-485	RS-485 interface for max. 2 RS-485 / OSDP readers
General		
Operating Temperature	-10 ~ 50 °C (14 ~ 122 °F)	
Humidity	10 ~ 90% (no condensation)	
Power Source	12V DC, 2.5A / PoE+ (IEEE 802.3at)	
Maximum Power Consumption	25.5 W	
Certification	CE, FCC, RCM, RoHS compliant	
Dimensions	137 x 80 x 34.5 mm (5.4 x 3.15 x 1.36 in)	
Weight	315 g (0.69 lb)	
Ingress Protection	IP66	
Web Interface		
Installation Management	Web-based configuration	
Maintenance	Firmware upgrade through Web Browser or Utility	
Access from Web Browser	Camera live view, change video quality, bandwidth control, image snapshot, audio, picture in picture, picture and picture	
Language	English, French, Portuguese, Russian, Spanish, Traditional Chinese	
Applications		
Network Storage	GV-DVR / NVR / VMS	
Mobile Phone support	Embedded 3GPP/ISMA browser	
Live Viewing	Browser (IE, Edge, Chrome, Firefox)	
Access Control / LPR Management	GV-ASManager	
Controller		
Number of User Cards	100,000 cards (networked mode)	
Frequency	13.56 MHz ISO14443A	
Event Buffer	50,000 events and log data	
RS-485 Interface	1 RS-485 interface for max. 2 RS-485 / OSDP readers	
TCP/IP Interface	1 TCP/IP interface for max. 2 readers: GV-CR420, GV-GF1921 / 1922, GV-FR2020, GV-FWC (for connecting GV-FD8700-FR and GV-VD8700)	
Communication Protocol	TCP/IP	

Digital I/O	2 inputs, dry contact NO/NC
	1 relay outputs (30V DC, 0.5A)
Supported ID Formats	Built-in GID and UID reader

Note:

1. For the RS-485 interface, connect just one of the following readers to GV-CS1320: GV RS-485 readers and OSDP compliant readers.
2. Only GeoVision readers are supported by RS-485 and network communications, while OSDP is compatible with third-party readers.
3. All specifications are subject to change without notice.

Packing List

- GV-CS1320
- Mounting Plate
- Standard Screw x 2
- Plastic Screw Anchor x 2
- Security Screw
- Torx Wrench
- Silica Gel Bag
- Micro SD Card 2 GB (formatted and installed)
- Software DVD
- Warranty Card

Options

Optional devices can expand the capabilities and versatilities of your GV-AS Controllers. Consult your sales representative for more information.

GV-AS ID Card, Key Fob, Sticker	13.56 MHz cards, key fobs and stickers are available.
GV-FWC	GV-FWC can integrate GV-Face Recognition Cameras and GV-AI FR into access control systems by sending access card data, paired to Face IDs, to controllers either through TCP/IP or Wiegand connection.
GV-IB25 / 65 / 85 Infrared Button	GV-IB25 / 65 / 85 Infrared Button detects infrared movement within 3 to 12 cm and allows you to open the door with a wave of hand.
GV-IO Box 4 Ports	GV-IO Box 4 Ports provides 4 inputs and 4 relay outputs. It supports both DC and AC output voltages, and provides a USB port for PC connection.
GV-WTR	GV-WTR is a converter designed for converting Wiegand interface to RS-485 interface, and vice versa. It enables 3rd party readers to be connected to RS-485 GV-Controllers, as well as allowing GV-AI FR (software) and GV-CR1320 (RS-485 camera reader) to be connected to 3rd-party Wiegand controllers.
Electric Lock	Three types of electric locks are available: electromagnetic lock, electric bolt and electric strike.
Power Adapter	Contact our sales representatives for the countries and areas supported.
Push Button Switch	The push button switch can be integrated with access control system, allowing door exit by momentarily activating or deactivating the electric locking device. Both American standard and European standard push buttons are available.