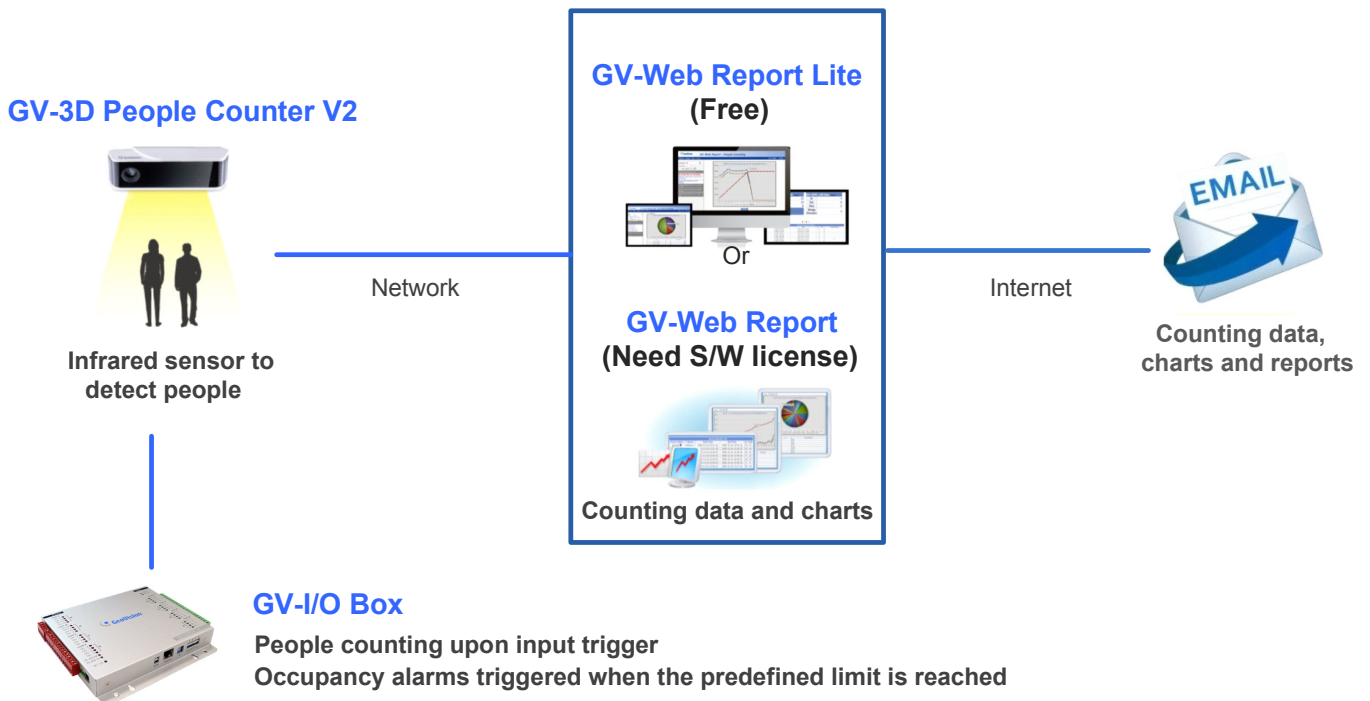


GV-3D People Counter V2



Introduction

The GV-3D People Counter V2 can count and analyze the number of people passing by or staying within a designated area with high precision and accuracy. With its Power over Ethernet and user-friendly interface, the counter is simple to use and easy to install. You can look up neatly compiled people counting data through its chart analysis with the support of GV-Web Report Lite, a built-in Web interface. Additionally, the counter also supports the alarm trigger when the predefined occupancy limit is reached.

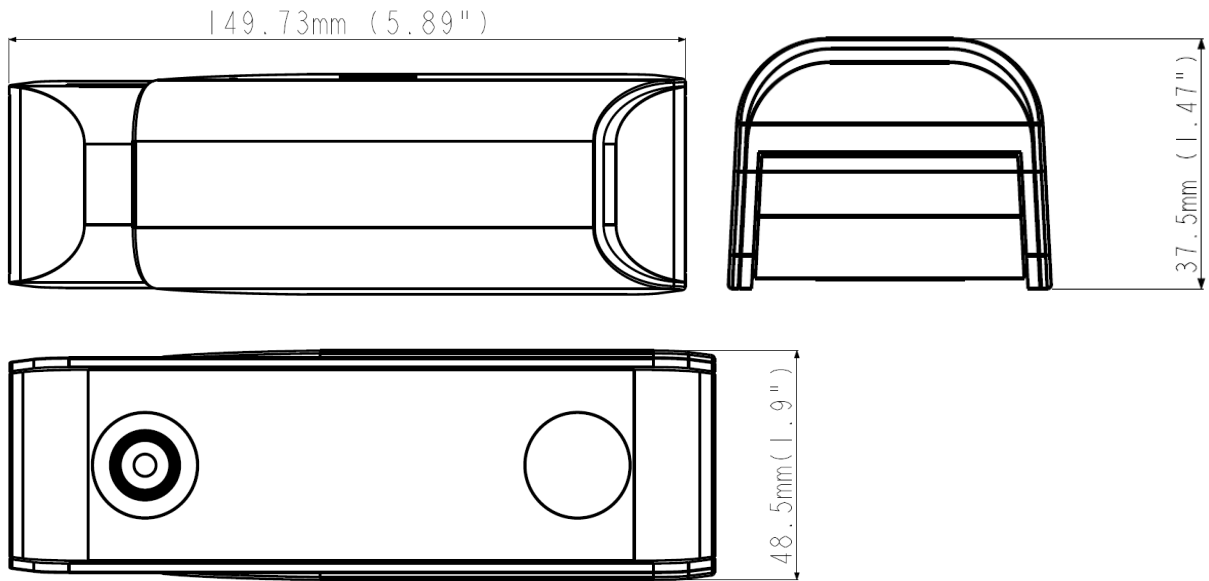


Features

- High precision counting accuracy
- Counts the number of people (In and Out)
- Lightweight with sleek design
- Digital I/O (1 Input/1 Output)
- PoE (IEEE 802.3af)
- Low power consumption
- Built-in micro SD card slot (SD/SDHC/SDXC/UHS-I, Class 10) for local storage
- GPS positioning (optional GV-GPS Receiver and GV-Web Report software required)
- GV-Web Report Lite: Built-in Web interface to look up people counting data and charts
- Support for data compiling and chart analysis on the optional GV-Web Report software
- People counting activated upon input trigger
- Occupancy alarms triggered when the predefined limit is reached
- Combine the counting data of up to 4 GV-3D People Counter V2 devices for data query and occupancy alarms

* No SD/SDHC card slot & local storage function for Argentina.

Dimensions



Overview

Bottom View



Rear View



Specifications

External Interface		
Ethernet		RJ45, 10/100 Ethernet (PoE Only)
Local Storage		Micro SD card slot (SD/SDHC/SDXC/UHS-I, Class 10)
Terminal Block	Input	1 Sensor Input
	Output	1 Alarm Output
	GPS	UART
Power Over Ethernet		
PoE Standard		PoE (IEEE 802.3af Power over Ethernet / PD)
PoE Power Supply Type		End-Span and Mid-Span
PoE Power Output		Per Port 48V DC, 350 mA, Max. 15.4 watts
General Information		
Angle of View	Diagonal	92°
	Horizontal	74°
	Vertical	55°
Counting Accuracy		Up to 98%
Weather Resistance		Indoor only
Operating Temperature		0 °C ~ 40 °C (32 °F ~ 104 °F)
Operating Humidity		20 % ~ 80 % (with no condensation)
Operating Distance		1.8 ~ 4 m (5.91 ~ 13.12 ft.)
Power Source		PoE (IEEE 802.3af) Only
Max. Power Consumption		6.24 W
Dimensions (W x H x D)		149.73 x 48.5 x 37.5 mm (5.9 x 1.9 x 1.47 in)
Net Weight		200 g (0.44 lb)
Regulatory		CE, FCC, RCM compliant
Language		English, Traditional Chinese, Simplified Chinese, Russian, French
Supported Browser		Microsoft Internet Explorer 10 or above

Compatible Firmware and Software Versions




Model	GV-VMS	GV-Web Report
GV-3D People Counter V2 V1.03 or later	V18.1.1 or later	V3.0.1A or later

Note: All specifications are subject to change without notice.

Packing List

1. GV-3D People Counter V2
2. SDHC Micro SD card (8 GB)
3. Ceiling Mount Kit
4. Wall Mount Kit
5. Installation Sticker x 2 (Wall mount / Ceiling mount)
6. Screw x 4
7. Anchor x 2
8. Documents Download Guide
9. Warranty Card

Options for 3D People Counter V2

Name	Details
 <p>A black spherical GPS receiver with a cable attached. The text 'G-STAR IV' is visible on the sphere.</p>	<p>Receive the GPS signals for 3D People Counter positioning.</p>
<p>GV-GPS Receiver</p>	
<p>GV-IO Box</p>	<p>GV-IO Box extends the uses of an IP device by providing input and output ports for triggering alarms such as light or buzzer. GV-IO Box is available in different models with different numbers of inputs and outputs.</p>
 <p>A small black rectangular PoE adapter with an Ethernet port and a power port. The text 'GeoVision' and 'GV-PA191' are visible.</p>	<p>The GV-PA191 is a Power over Ethernet (PoE) adapter designed to provide power to the IP device through a single Ethernet cable.</p>
<p>GV-PA191</p>	
 <p>A black rectangular Gigabit PoE adapter with two Ethernet ports and a power port. The text 'GeoVision' and 'GV-PA301' are visible.</p>	<p>GV-PA301 is a Gigabit Power over Ethernet (PoE) adapter.</p>
<p>GV-PA301</p>	
<p>GV-POE Switch</p>	<p>The GV-POE Switch is designed to provide power along with network connection for IP devices. The GV-POE Switch is available in various models with different numbers and types of ports.</p>
<p>GV-Web Report</p>	<p>Through a Web browser, the GV-Web Report keeps track of and analyzes the people counting results from up to 1000 units of GV-3D People Counter V2s.</p>