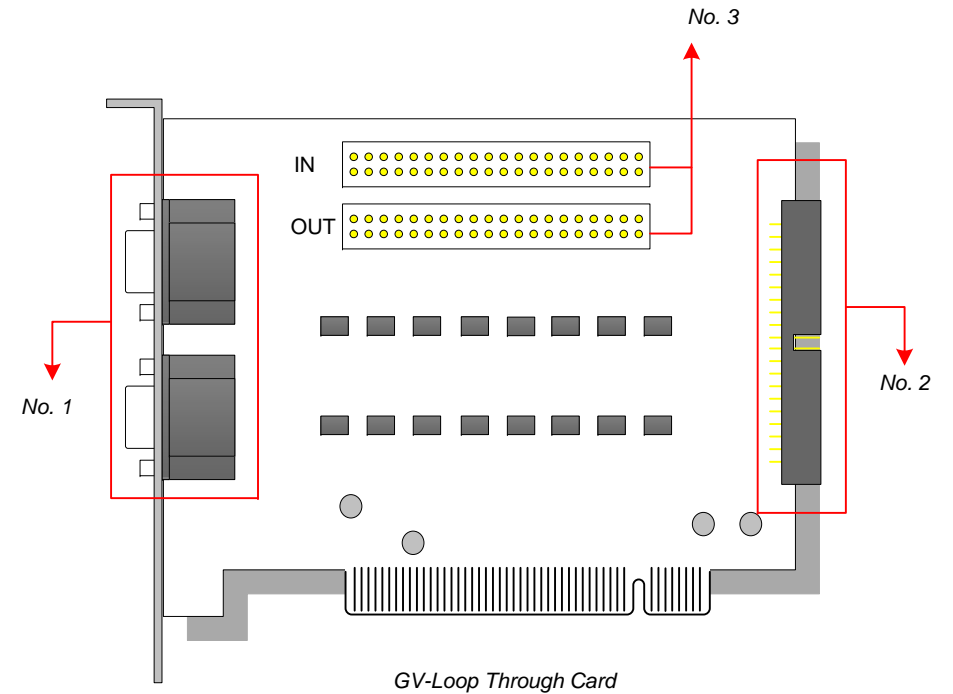
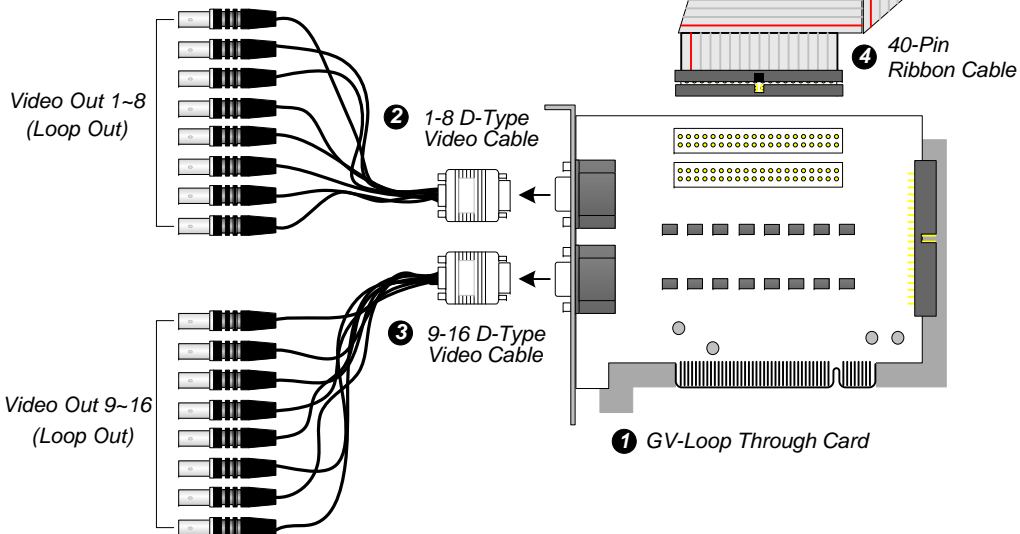
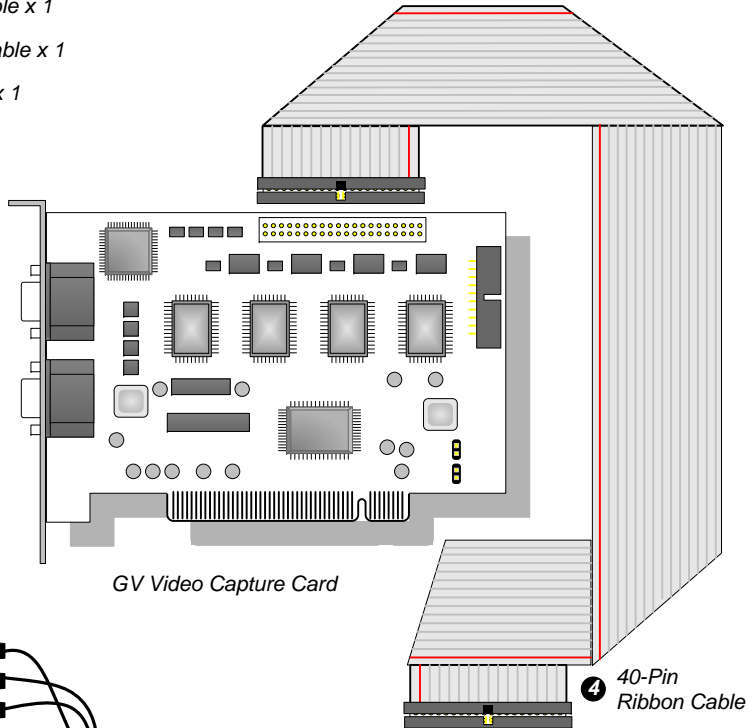


# GV-Loop Through Card

The GV-Loop Through Card is designed to take the video signal directly from the GV Video Capture Card, without internal device processes, and then split it into 16 signals while maintaining video quality.

## Packing List

- ❶ GV-Loop Through Card x 1
- ❷ 1-8 D-Type Video Cable x 1
- ❸ 9-16 D-Type Video Cable x 1
- ❹ 40-Pin Ribbon Cable x 1
- ❺ 40-Pin Ribbon Cable with Four 10-Pin Headers x 1 (Only for GV-2004 or GV-2008 Card)



- No. 1: Video OUT
- No. 2: Video OUT
- No. 3: Video IN/OUT  
(IN for GV Video Capture Card, OUT for GV-DSP Card or GV-Hybrid DVR Card.)

- Note:**
- 1. For the No. 2 video out, an extra D-type extension card is required.
  - 2. Choose either No. 1 or No. 2 for video out. Using both at the same time may cause video degradation.
  - 3. Only connect GV series cards, such as GV Video Capture Card, GV-DSP Card or GV-Hybrid DVR Card, to No. 3. Other devices are prohibited.

## Specifications

GV-System Interface	2 x 40-pin connector
Output interface	2 x 15-pin D-type ports
	1 x 40-pin connector
Input Signal	16 channels
Dimensions (W) x (H)	130 x 98 (mm) / 5.12 x 3.86 (in)

## Connections with Two Video Capture Cards

In the computer where two GV Video Capture Cards are installed, up to two GV-Loop Through Cards can be installed. Use the supplied Ribbon Cable to connect the GV-Loop Through Card to the desired GV Video Capture Card. The picture below demonstrates the connections of two GV-Loop Through Cards with two GV Video Capture Cards.

