



OWL

FIRE ALARM MANAGEMENT AND MONITORING SOFTWARE WITH CCTV SUPPORT

OWL is a highly advanced monitoring and controlling 'plug and play' software that facilitates simple and intuitive management of the Chameleon Network range of intelligent fire alarm control panels. OWL's ultramodern and sophisticated graphical user interface (GUI) displays all devices, alarms, and all the information about the status of the entire fire detection alarm system(s). The configuration file of the control panel is used to import the devices (loops, zones, texts, and devices types). OWL is easy to operate, and its simple drag and drop icon placement provides easy device allocation within mapping.

Arranged in a simple and logical way, OWL's graphics and icons allow users to quickly identify and respond to fire alarms and faults in real time. Basic command actions such as 'activate sounders', 'silence sounders', 'silence buzzers' and 'system reset' can be activated in an intuitive way from the software's main page. Simple control buttons allow the user to Enable/Disable field devices. Real-time device conditions and analogue values can also be obtained from all field devices via a menu selection.

All events are graphically displayed on the screen using a floor plan layout. The affected area(s) of the building are highlighted with flashing icons indicating exactly where the fire or fault is. Easy to operate, users can navigate through the different levels of the floor plans until reaching the right one. The software provides a cost-effective solution for all types of installations and is suitable for use with everything from a single panel system up to multi-panel and multi-site applications.

In addition to fire alarm monitoring and control, Owl also provides support for CCTV footage. This means that in the event of a fire alarm activation, the software can display live footage from the relevant CCTV cameras, allowing for faster and more accurate incident assessment. By providing both fire alarm events and CCTV footage in a single interface, Owl can help improve situational awareness and response times, making it an invaluable tool for fire safety professionals.

KEY FEATURES

- Up to 64 systems can be connected, up to 16,000 connected devices
- The Maximum number of simultaneously connected PC users: 5
- CCTV support footage alongside fire alarm events
- Supports Image format: bmp, jpeg, etc
- Simple synchronisation of panel configuration and graphics database
- 2 groups of user levels (admin and operator)
- Site survey option for Maintenance & commissioning
- Selectable event notifications via Email and SMS
- Drag and drop icon placement provides easy device location mapping
- Global event log with filter options
- Selectable event notifications via Email and SMS
- User-friendly backup & restore facility
- 100% control of the system

CONFIGURATION DIAGRAM

The configuration requires two steps:

- Connect the fire alarm panel to the PC using a TCP/IP interface
- Import the .gfd file of the fire alarm installation (exported from the CHAMELEON CONNECTOR software) and configure the software



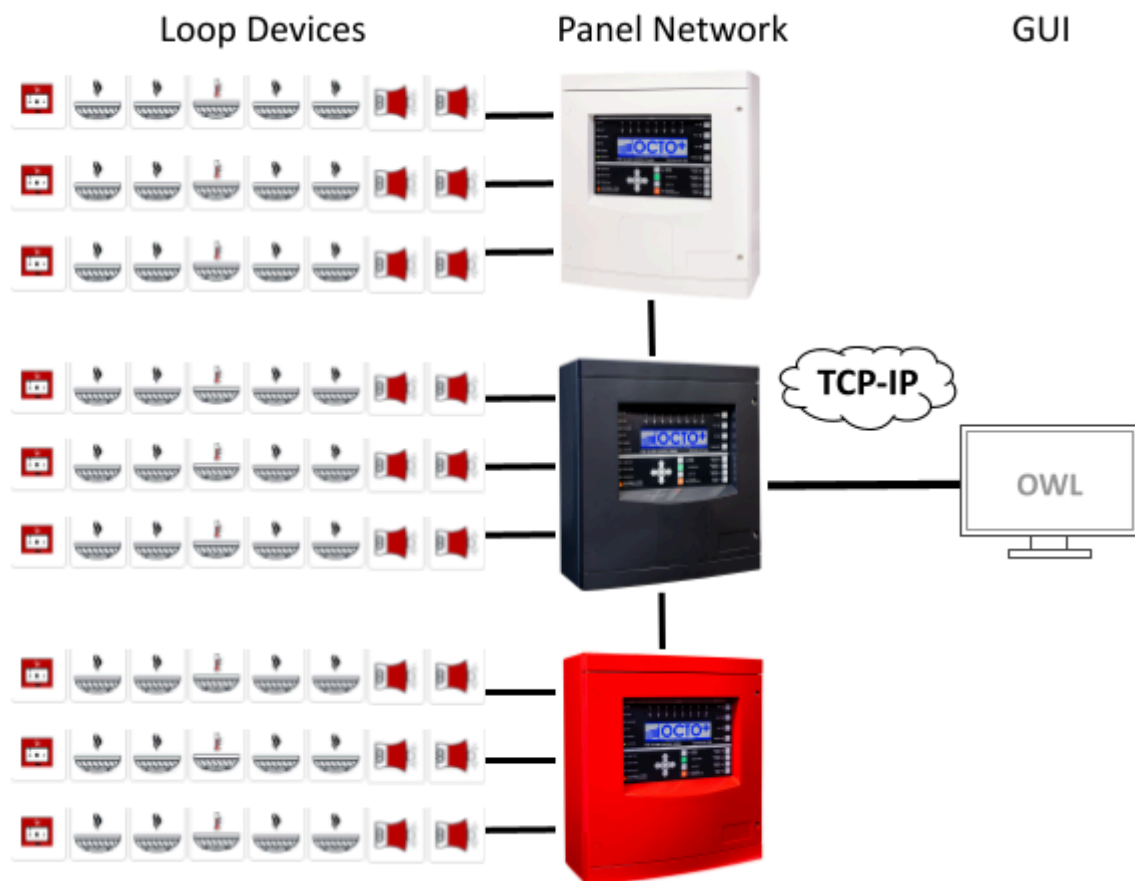
NETWORK DIAGRAMS

OWL fire monitoring software supports:

- Single systems



- Multi-Panel systems



TECHNICAL SPECIFICATIONS

HARDWARE	Processor 2 GHz (min.)
COMPATIBLE PANELS	OCTO+, GEKKO, NODE+, G-One
MAXIMUM SUPPORTED SYSTEMS	64
COMMUNICATION INTERFACES	TCP IP (INT-TCP IP-V2)
OPERATING SYSTEM	Windows 7 and above
MEMORY USAGE	RAM: 4 Gb / Hard Disk: 1GB
SUPPORTED SCREEN RESOLUTION	1280x720 (min.); 2560x1440 (max.)
DOWNLOAD LINK	https://globalfire-equipment.com/product/owl

ORDER CODE

OWL Fire monitoring software	1 PANEL LICENCE
OWL Fire monitoring software	2-5 PANELS LICENCE
OWL Fire monitoring software	6 OR MORE PANELS LICENCE